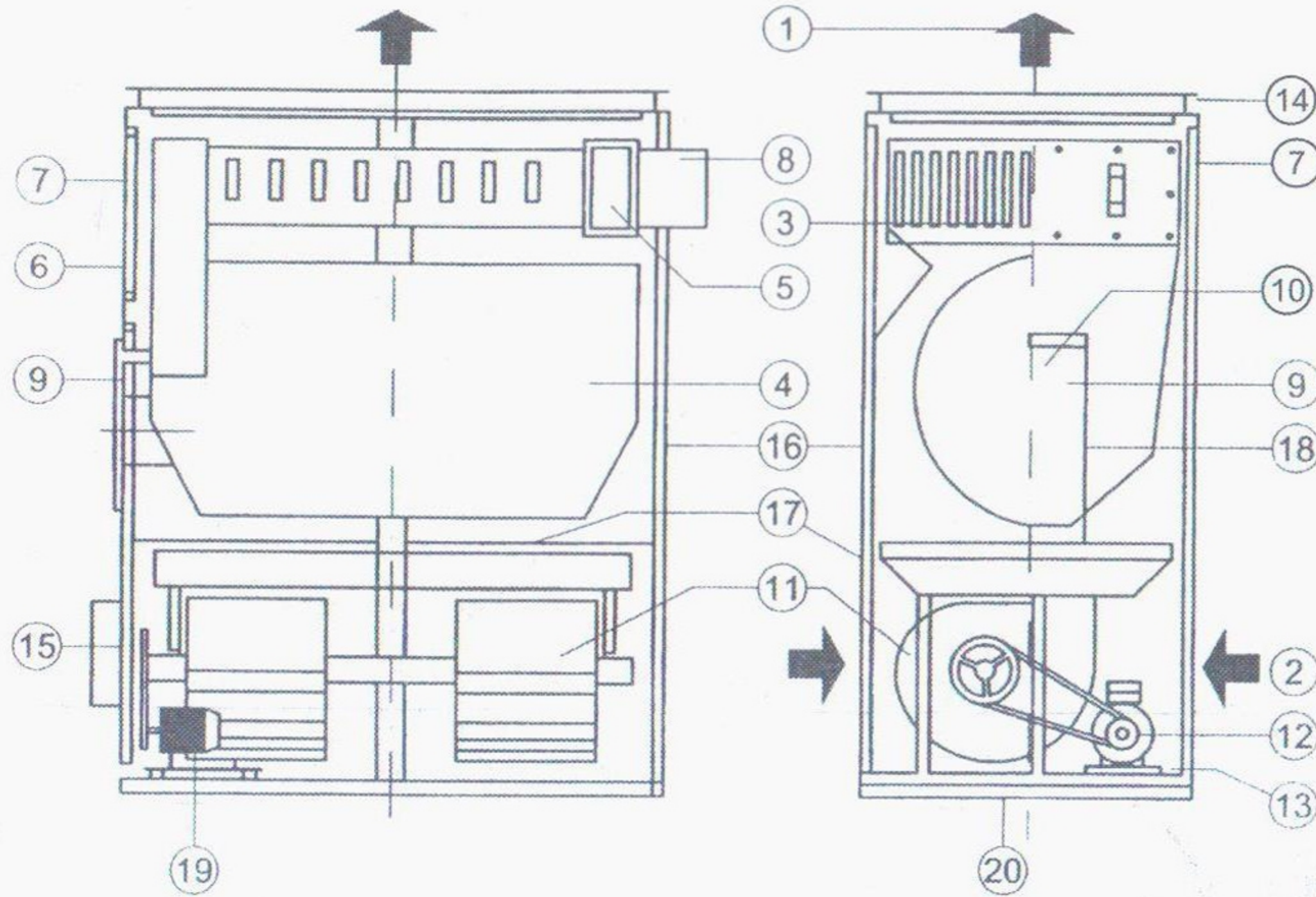


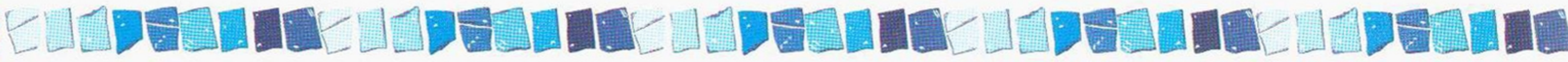


## کوره هوای گرم سری TS



- 1- Air delivery
- 2- Air intake
- 3- Smoke pipes
- 4- Combustion chamber
- 5- Rear smoke manifold
- 6- Front smoke manifold
- 7- Tube inspection door
- 8- Chimney
- 9- Burner flange
- 10- Combustion check- hole
- 11- Centrifugal fan
- 12- Electric motor
- 13- Belt- stretcher
- 14- Fan-limit double thermostat
- 15- Electric board
- 16- Cabinet
- 17- Body- base holding screws
- 18- Burner connection
- 19- Motor slide or bracket
- 20- Drive





FURNACE MODELS	A	B	C	D	E	F	G	H	L	M	N	P	φ CAMNO
TS 20	745	460	1370	400	625	340	490			110			125
TS 30	745	460	1370	400	625	340	490			110			125
TS 40	800	540	1485	400	625	430	520			122			150
TS 50	800	540	1485	400	625	430	520			122			150
TS 75	1060	760	1880	500	900	700	1000	1672	30				200
TS 100	1060	760	1880	500	900	700	1000	1672	30				200
TS 120	1300	900	2120	781	1182	840	1240	1905	30				250
TS 150	1300	900	2120	781	1182	840	1240	1905	30				250
TS 175	1500	1000	2120	781	1382	940	1440	1905	30				250
TS 200	1500	1000	2120	781	1382	940	1440	1505	30				250
TS 250	1700	1200	2400	781	1582	1140	1640	2150	30				250
TS 300	1700	1200	2400	781	1582	1140	1640	2160	30				300
TS 375	2090	1270	2870	882	1972	1210	2030	2585	30		1000	1870	330
TS 450	2090	1270	2870	882	1972	1210	2030	2585	30		1000	1870	330
TS 525	2500	1500	3120	882	2382	1440	2440	2815	30		1000	2120	370
TS 625	2500	1500	3120	882	2382	1440	2440	2815	30		1000	2120	370

